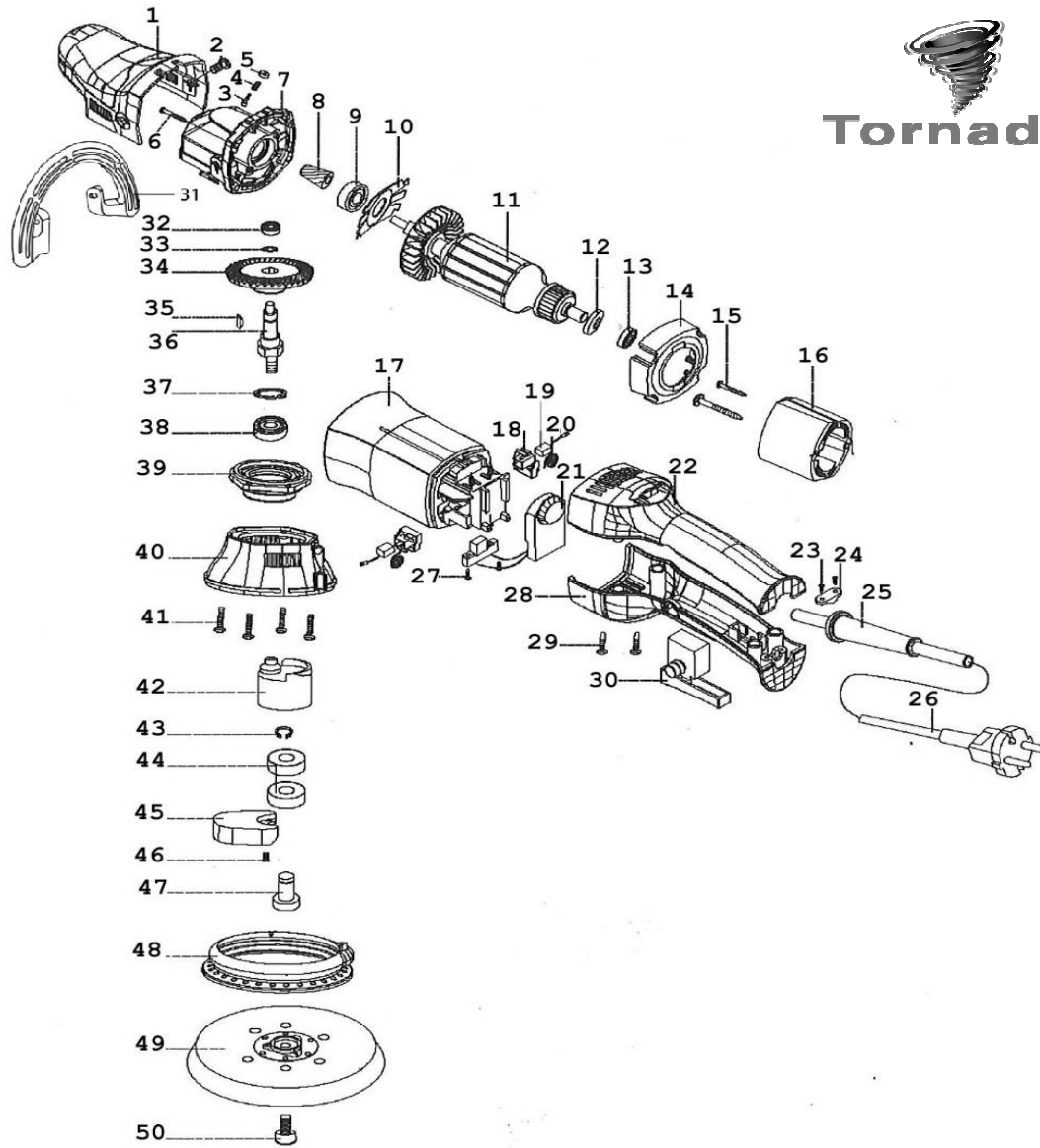




**Tornador®**



No.	Description	No.	Description	No.	Description
1	scalp shield	18	disc spring	35	woodruff key
2	screw for scalp fasten	19	carbon brush (2pcs. Set)	36	output shaft
3	self-lock pin	20	brush planes	37	inner hole circlip
4	self-lock spring	21	governor	38	bearing
5	self-lock cap	22	switch	39	front cover
6	screw for scalp connect	23	screw for pressure cable board	40	eccentric cover
7	scalp	24	pressure cable board	41	screw of front cover
8	pinion	25	cable sheath	42	eccentric wheel
9	bearing	26	cable	43	axis wild spring
10	Bearing cover	27	screws for sensor head fasten	44	6001bearing
11	rotor	28	lower cover of chassis handle	45	eccentric block
12	magnet ring	29	screws for handle fasten	46	flat machine screws
13	bearing	30	switch	47	eccentric shaft
14	fan shroud	31	D-handle	48	seal ring
15	stator screw	32	bearing	49	polishing plate
16	stator	33	circlip	50	inner-hexagon screws
17	chassis	34	big gear wheel		

